



Kin IW6 Slim

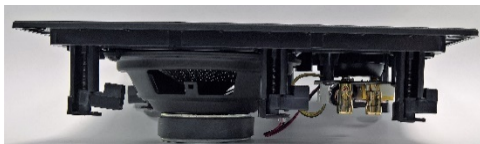
A Wall of Sound

The shallowest of all Totem Architectural speakers fit effortlessly into the tight confines of standard construction framework, transforming them into walls of sensation Totem sound.

All models in the series feature custom designed ceramic tweeters and carbon fiber woofers. The 6" woofer in the IW6 meshes flawlessly with a $\frac{3}{4}$ " ceramic tweeter like they were designed for each other. And they were.

Totem's incomparable dispersion will wholly occupy the entire space to ensure every spot of the living area sounds like a prime location. They also seamlessly intermesh with all other Totem speakers for omnipresent multichannel systems so fearlessly mix and match as required.

Discover your Kin Architectural and expand your musical experiences.

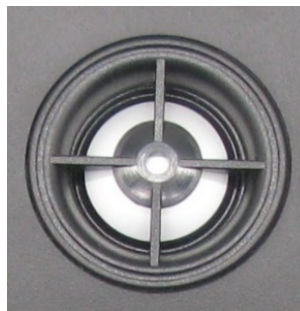


Only 3 1/8" deep to easily fit in any wall



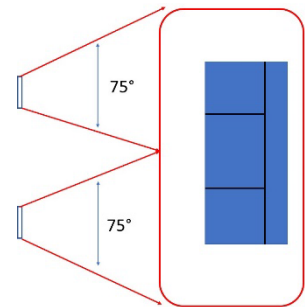
Carbon Fiber Woofers

The pure polymer impregnated carbon weave is very stiff and light for fast, dynamic bass. Coupled to a high compliance rubber suspension, the cone motion is controlled for the best possible transient response and clarity.



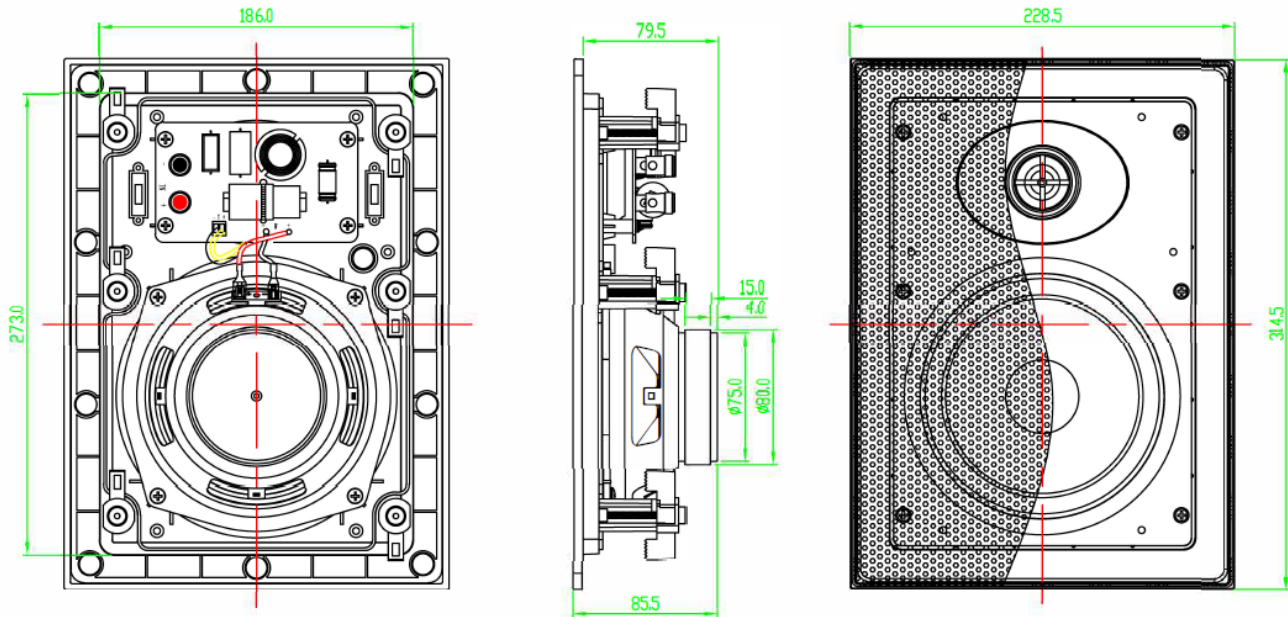
Ceramic Dome Tweeters

Tremendous stiffness and damping characteristics with resonances past our hearing ability so sound is natural, clear, and distortion-free. Resistant to moisture and extreme temperatures, making the speakers suitable to almost any application.



Enormous Dispersion

KIN IC Slim in-wall models disperse at 75 degrees, almost twice as broadly as competitive speakers. Acoustic coverage is totally present throughout the entire listening area, ensuring everyone enjoys an optimal acoustic experience.



Specifications

Model:	KIN IW6 Slim
Design:	Slim 6" In-Wall
Frequency Response:	55 Hz - 25 kHz ± 3 dB
Recommended Power:	10-100 W
Woofer:	6" Carbon Fiber
Tweeter:	.75" Ceramic dome
Impedance:	8 ohm
Sensitivity dB @1W-1M:	90dB
Dimensions, (w x h x d):	229 x 315 x 89mm / 8.97 x 12.4 x 3.5"
Dimensions, No grille:	220 x 305 x 88mm / 8.66 x 12 x 3.46"
Mounting Depth:	80mm / 3.14"
Weight:	1.34kg, 2.35lb
Cutout (w x h):	190 x 277mm / 7.48 x 10.71"
Grille type:	Magnetic, paintable, virtually bezel-less white metal
Accessories/Options:	Pre-construction brackets, square grilles
Speaker Terminals:	Spring loaded Gold Plated
Speaker Wire:	Accepts up to 12 gauge
Dispersion pattern:	75 degrees

Mounting Depth



80mm / 3.14"

Cutout dimensions



190mm / 7.48"

277mm / 10.71"

Accessories



PCK W6 In-Wall Pre-Construction Kits

Made of robust materials, fits perfectly, and installs quickly.