



Kin IC6 Slim

Slim profile, enormous soundstage

Conveniently proportioned for space challenged applications, the KIN IC Slim In-Ceiling models defy their lean proportions with Totem's classic enormous imaging.

The ceramic tweeters and carbon fiber woofers react like they were designed for each other. And they were. Designed far beyond established standards, KIN IC Slim delivers the authentic Totem experience of sound holography and musical involvement. They also seamlessly intermesh with other Totem speakers, both traditional and architectural, for cohesive, enveloping multichannel system configurations.

Discover your Kin Architectural and expand your musical experiences.

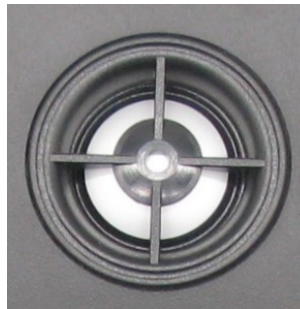


KIN IC Slim is 25% shallower than KIN IC



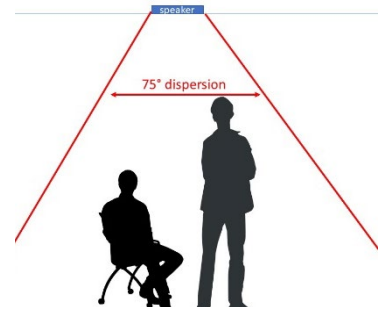
Carbon Fiber Woofers

The pure polymer impregnated carbon weave is very stiff and light for fast, dynamic bass. Coupled to a high compliance rubber suspension, the cone motion is controlled for the best possible transient response and clarity.



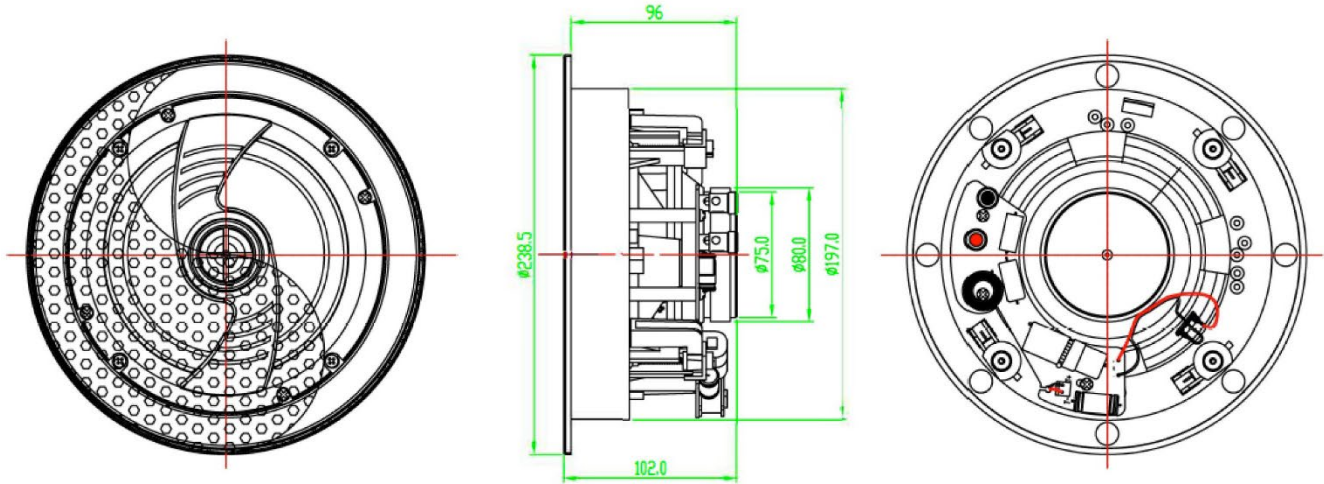
Ceramic Dome Tweeters

Tremendous stiffness and damping characteristics with resonances past our hearing ability so sound is natural, clear, and distortion-free. Resistant to moisture and extreme temperatures, making the speakers suitable to almost any application.



Enormous Dispersion

KIN IC Slim disperse at 75 degrees, almost twice as broadly as competitive speakers. Acoustic coverage is totally present throughout the entire listening area. The enormous dispersion allows the listener to enjoy the same sound whether seated or standing, simplifying placement.



Specifications

Model:	KIN IC6 Slim
Design:	Slim 6" In-Ceiling
Frequency Response:	55 Hz - 25 kHz ± 3 dB
Recommended Power:	10-100 W
Woofer:	6" Carbon Fiber
Tweeter:	.75" Ceramic dome
Impedance:	8 ohm
Sensitivity dB @1W-1M:	90dB
Dimensions, Diameter x Depth	
With Grille:	239 x 101mm / 9.37 x 3.97"
Without Grille:	230 x 100mm / 8.99 x 3.89"
Mounting Depth:	96mm / 3.77"
Weight:	1.36kg, 3lb
Cutout Diameter:	200mm / 7.87"
Grille type:	Magnetic, paintable, virtually bezel-less white metal
Accessories/Options:	Pre-construction brackets, square grilles
Speaker Terminals:	Spring loaded Gold Plated
Speaker Wire:	Accepts up to 12 gauge
Dispersion pattern:	75 degrees

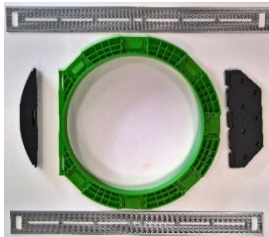
Mounting Depth



Cutout Diameter



Accessories



PCK6 Color Coded Pre-Construction Kit

Include joist brackets for perfectly lined installations and multiple points to connect the wings to guarantee contact with drywall.



SGK6 Square Grille Kit

Permits cosmetic finishing touches to match fixtures, HVAC accessories, and suit personal design tastes.