

Discover yours.



CONGRATULATIONS

We sincerely thank you for having granted Totem the special place in your living environment. These speakers are designed to redefine your musical understanding and open up corridors of new experiences. We hope you not only enjoy but experience Totem as your guide to a new and rewarding listening environment! You will without a doubt experience a Totem moment.

OUR VISION

Totem Acoustics' mission is to develop loudspeakers capable of reproducing a truly musical and involving performance. Our goal is to provide designs that are both affordable and real 'soul movers' for the music lover and surround lover. Music of any period, country or style is accurately and emotionally rendered with a powerful focus that is yet soul stirring.

Each speaker is a 'piece de resistance' that attests to the profound sound staging that can be reproduced by flexible and innovative engineering. Listen and believe...

TABLE OF CONTENTS

Totem Limited Warranty	3
User Manual	4
Unpacking	4
Product Features / Specifications	5
Mounting Surface Preparation	6
Mounting Instructions	7
Installing Tribe In-Wall	7
Installing Tribe In-Ceiling	8
Installing Tribe Side/Center	9
Mounting the Magnetic Grill	10
Speaker Positioning	10
Environmental Information	10
Connections	11
Troubleshooting Guide	12
Amplifier Distortion	12
Volume	12
Limits	12

TOTEM LIMITED WARRANTY

Please register online at www.totemacoustic.com within two weeks of the purchase date.

The Totem speakers must be purchased from a TOTEM AUTHORIZED DEALER.

Keep your original bill or receipt obtained from your Totem Authorized Dealer.

Retain the sturdy carton and all packing material; if needed, it will prove invaluable for damage-free transport or storage and upgrade purposes.

All Totem products are created with the utmost care and quality in mind. If ever a problem should arise, Totem's speakers are covered by a **five (5) year limited warranty**, (excluding subwoofers) starting from the date of purchase. The Totem limited warranty applies to products in normal home use only. The warranty is void if serial numbers have been altered or removed. The warranty is void if products show signs of abuse. The warranty is void if the speakers have been tampered with.

The speakers require **at least 85-90 hours** of actual music playing time as a minimal break-in period. During this time, refrain from playing them at very loud levels. You will notice a definite gradual improvement in the cohesiveness of the music reproduction as this occurs.

We reserve the right to any future change or modification without notice. If you have any further queries or require any classifications, feel free to contact your Totem Authorized Dealer.



For further assistance, contact your **TOTEM AUTHORIZED DEALER** or visit the Support Section of the Totem website at www.totemacoustic.com/support.

MANUAL

TRIBE IN-WALL / IN-CEILING

High performance holographic architectural speakers

TRIBE IN-WALL LCR - TRIBE SIDE/CENTER - TRIBE ANGLED IN-CEILING

Thank you for choosing the Totem Acoustic Tribe Architectural series. Please take the time to fully read this manual prior to beginning set-up. The manual will clearly guide you to achieve the best possible sound that these newly acquired Totem speakers are capable of providing. If you have further questions, contact your Totem Authorized Dealer.

Beyond sonic performance, Totem has placed tremendous consideration to the home integrator. New construction or retro-fit, the Tribe Architectural speakers incorporate one of the shallowest closed box designs. Accompanied by a “completely flat” paintable magnetic grill, the mounting system allows for remarkable flexibility. Built with precision, the Tribe Architectural speakers feature a fully back-boxed design and extruded aluminum frame for added rigidity.

For further assistance, contact our tech support at info@totemacoustic.com.

UNPACKING

Totem Acoustic keeps to a strict quality control regimen and all factory-sealed products leave our facility in perfect condition. If there are any damages visible or concealed that has occurred in handling it must be reported immediately to your Totem Authorized Dealer.

Carefully remove the speaker(s) from the box(es); take caution as the size often deceives the actual weight. Save all custom cartons and packaging foam for future use. They are rather expensive and may come in handy for future upgrades.

PRODUCT FEATURES / SPECIFICATIONS

- One Piece construction with high-quality painted box
- Anodized aluminum front frame
- One-step paintable neodymium-activated aluminum grills
- Bi-wire gold plated terminals
- Even tension high-torque dog legs
- Rear wire management channels
- Neodymium-activated long-throw woofer
- Dual stage passive radiators
- High-quality hard-wired Totem crossover
- 110dB peak from pair, 90 dB efficiency
- Easy impedance 6 ohm load



TRIBE IN-WALL

Overall Exterior Dimensions

Width 7.28" / 18.5 cm
 Height 29.37" / 74.6 cm
 Depth 3.75" / 9.525 cm

Cut-out Dimensions

Width 6.18" / 15.7 cm
 Height 28.18" / 71.58 cm

Frequency Response

48 Hz – 25 kHz ±3 dB

TRIBE SIDE/CENTER

Overall Exterior Dimensions

Width 15.69" / 39.85 cm
 Height 12.04" / 30.58 cm
 Depth 3.75" / 9.525 cm

Cut-out Dimensions

Width 14.56" / 37 cm
 Height 10.94" / 27.79 cm

Frequency Response

57 Hz – 25 kHz ± 3 dB

TRIBE IN-CEILING

Overall Exterior Dimensions

Width 15.69" / 39.85 cm
 Height 15.69" / 39.85 cm
 Depth 4.72" / 12 cm

Cut-out Dimensions

Width 14.56" / 37 cm
 Height 14.56" / 37 cm

Frequency Response

47 Hz – 25 kHz ±3 dB

MOUNTING SURFACE PREPARATIONS

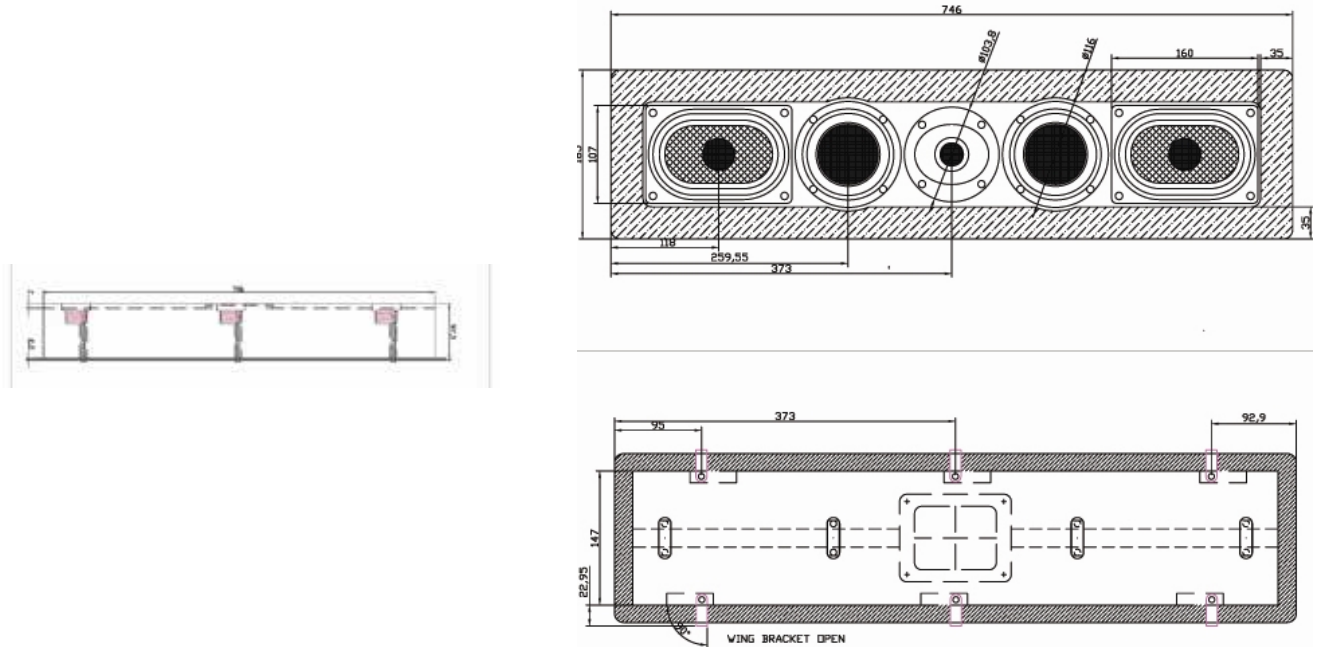
FINISHED CEILINGS AND WALLS

Prior to the actual installation of the Totem speakers, it will be necessary to run cables to the speaker locations. See your Totem Authorized Dealer for more information on cable installation. After the cable has been properly installed, you are ready to mount the speakers. Following the simple steps listed below will result in a professional looking installation.

- 1- Determine the best area** to mount your Totem speakers. This area of the ceiling or wall should be free of obstructions such as electrical conduit, HVAC ducts, or water lines. This can best be determined by noting the placement of fixtures and gaining access to an attic or crawl space for further analysis of the location such obstacles.
- 2- Find the studs/joists** nearest the desired speaker mounting location. We highly recommend using a good stud-finder tool for this procedure. If you are lining up the speakers to some other object or moulding in the room, make sure you consider the size of the baffles flange which extends beyond the mounting hole.
- 3- Mark the hole.** A punch out template for setting the hole is provided in the box. Position the template in the desired position and pencil an outline on the wall or ceiling.
- 4- Cut the hole.** Caution: This is the most important part of the entire installation. If you are not certain that no obstructions exist behind the desired mounting area, you should start by cutting a small hole in the center of your penciled mounting hole with a drywall saw, cutting at a 45-degree angle towards the inside of the hole. Cutting the small hole at this angle will make drywall repair much easier, using the piece cut out. Once you have determined there are not obstructions in desired mounting location, start cutting the finished hole at a 90-degree angle to the wall surface.

MOUNTING INSTRUCTIONS

INSTALLING TRIBE LCR IN-WALL



All dimensions in millimeters. 1" = 25.4 mm

Figure 1: Speaker enclosure

- 1- Gold Plated speaker terminals. Accepts bare wire up to 12 gauge.
- 2- Heavy duty PVC dog legs. Helps you to secure the in-wall sub to the sheetrock.
- 3- Anti-resonant absorption pads. Helps the grill assembly not vibrate.
- 4- Neodymium magnets with anti-resonant absorption pads. Helps the grill to easily attach into place.
Use caution, these magnets are powerful.

To secure the Totem In-wall speaker into place incorporate the dog legs. To incorporate the dog legs, turn the screw ½ turn counter clockwise in order to deploy the dog legs, then you can start to tighten the dog legs screw (clockwise). Repeat for the remaining dog legs screws.

INSTALLING TRIBE ANGLED IN-CEILING

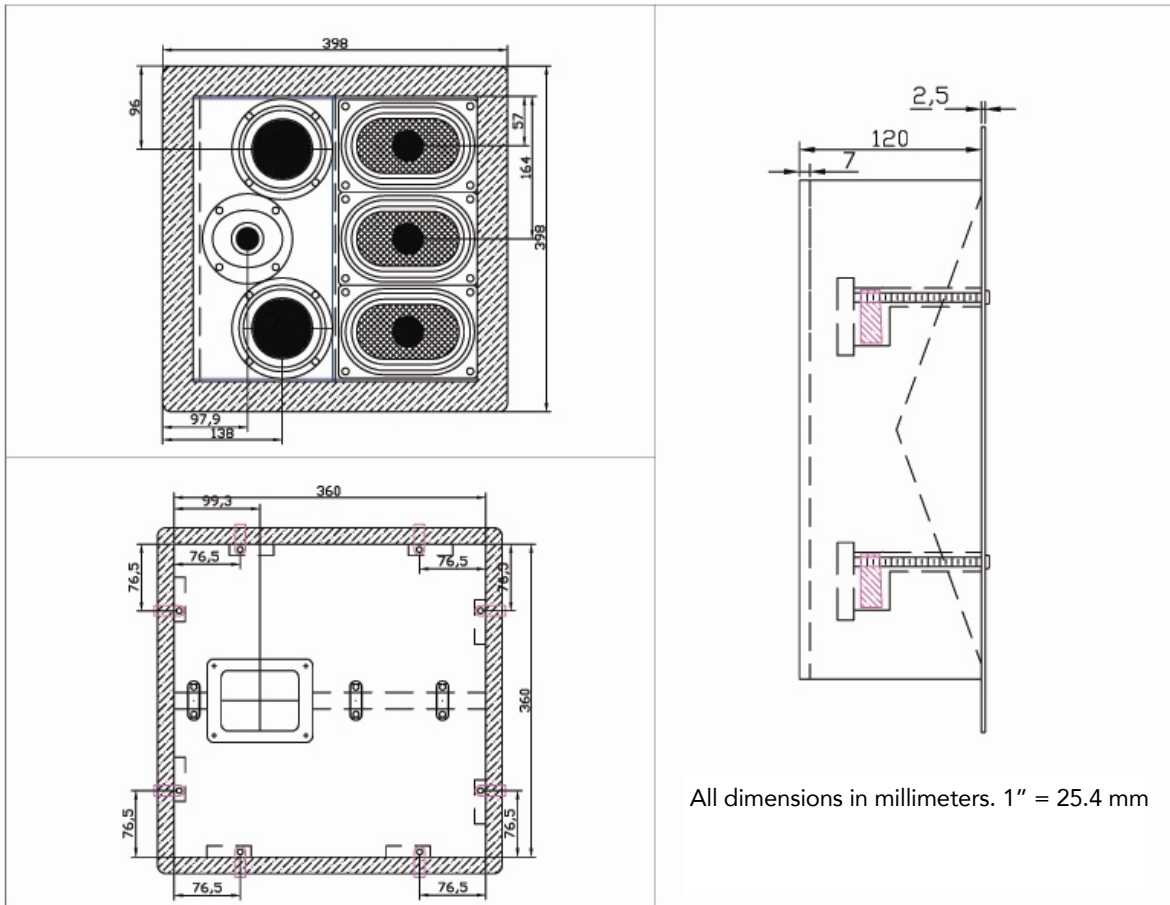


Figure 2: Speaker enclosure

- 1- Gold Plated speaker terminals. Accepts bare wire up to 12 gauge.
- 2- Heavy duty PVC dog legs. Helps you to secure the in-wall sub to the sheetrock.
- 3- Anti-resonant absorption pads. Helps the grill assembly not vibrate.
- 4- Neodymium magnets with anti-resonant absorption pads. Helps the grill to easily attach into place. Use caution, these magnets are powerful.

To secure the Totem In-wall speaker into place incorporate the dog legs. To incorporate the dog legs, turn the screw ½ turn counter clockwise in order to deploy the dog legs, then you can start to tighten the dog legs screw (clockwise). Repeat for the remaining dog legs screws.

INSTALLING TRIBE IN-WALL SIDE/CENTER

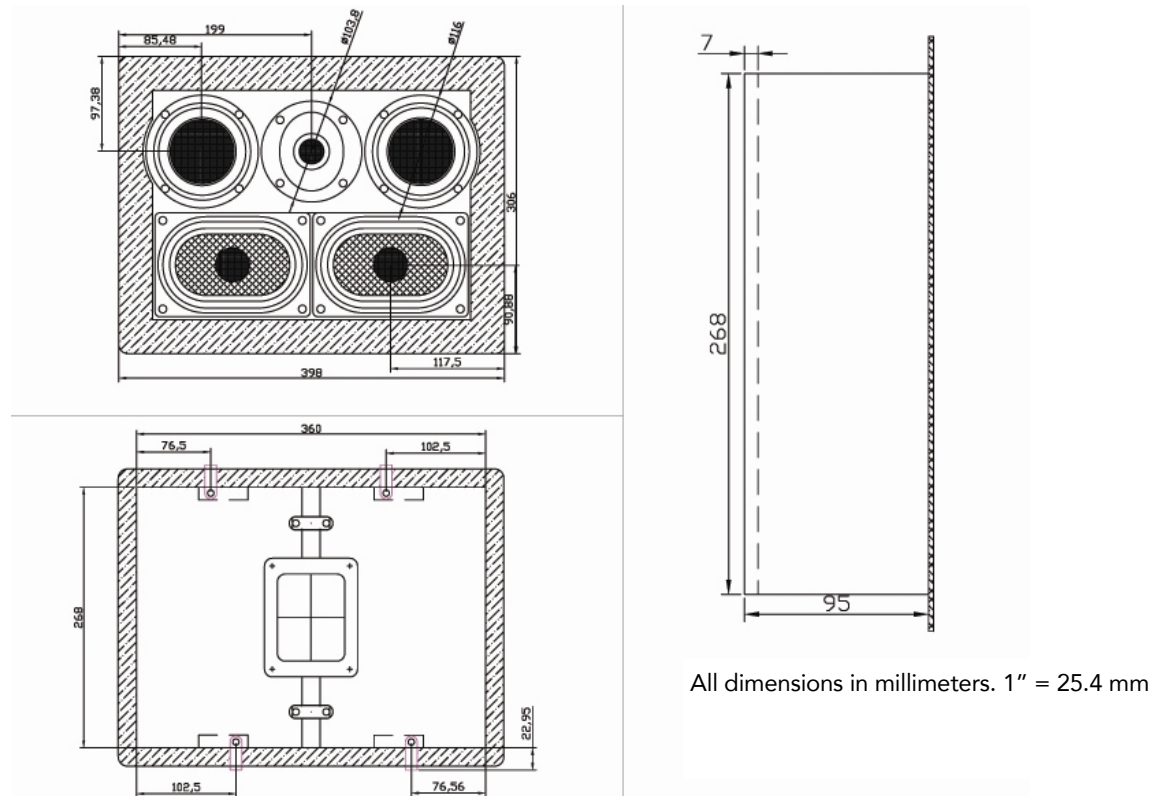


Figure 3: Speaker enclosure

- 1- Gold Plated speaker terminals. Accepts bare wire up to 12 gauge.
- 2- Heavy duty PVC dog legs. Helps you to secure the in-wall sub to the sheetrock.
- 3- Anti-resonant absorption pads. Helps the grill assembly not vibrate.
- 4- Neodymium magnets with anti-resonant absorption pads. Helps the grill to easily attach into place. Use caution, these magnets are powerful.

To secure the Totem In-wall speaker into place incorporate the dog legs. To incorporate the dog legs, turn the screw ½ turn counter clockwise in order to deploy the dog legs, then you can start to tighten the dog legs screw (clockwise). Repeat for the remaining dog legs screws.

MOUNTING THE MAGNETIC GRILL

This high performance fully back boxed design incorporates a magnetic grill attachment. Once fully installed, the grill will align flush with the aluminum bezel.

PAINTING THE GRILL

The grill incorporates a scrim-cloth to hide the drivers when installed. This scrim-cloth must be removed before painting. It is adhered to the grill with a light adhesive. To remove, gently peel from each corner in turn.

SAVE the scrim-cloth until the grill is painted and dry.

It is not necessary to paint the speaker cabinet or frame, as the grill will cover the entire face.

If you are using a spray gun, set it for the most diffuse spray and try two very thin coats. If you are using a brush, thin the paint so that the grill holes will not be blocked.

After the paint is dry, re-apply the scrim-cloth. Starting with one edge, work the scrim-cloth back into place, making sure that the cloth is stretched flat behind the grill.

SPEAKER POSITIONING

Totem produces speakers with great dispersion, both on the vertical and horizontal axis. These speakers are of a superior design and will perform remarkably well in a variety of spaces. With special care and the time, you take to position your Totem speakers the greater the result.

ENVIRONMENTAL INFORMATION

All Totem products are designed to comply with international Restriction of Hazardous Substances (RoHS) and CARB certification.

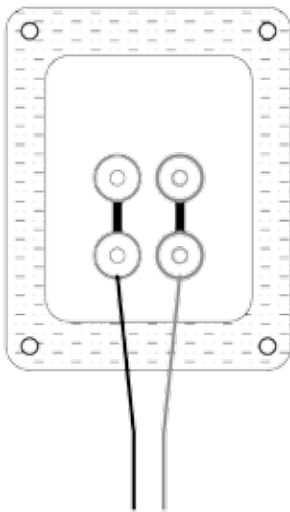
CONNECTIONS

All connections should be made with the equipment turned off.

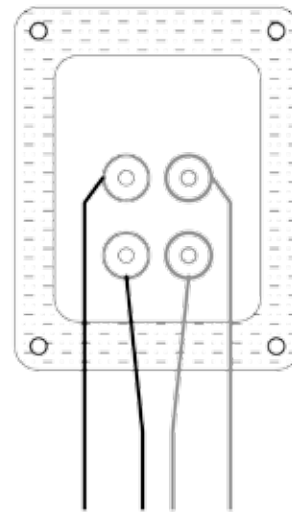
Totem delivers all speakers with jumpers installed. For a standard single wire connection simply leave the jumpers in place. Be certain to connect the positive red (+) terminal of the speaker to the positive red (+) output terminal on the amplifier. Be certain to connect the negative black (-) terminal of the speaker to the negative black (-) output terminal on the amplifier. The speakers will sound out of phase (bass loss and image distortion) if there is an error in your connection. Totem speakers can be bi-amped and bi-wired, please consult your amplifier manual for detailed instructions or contact your Totem Authorized Dealer.

Caution: For a **bi-amp** connection jumpers **MUST** be removed.

Single wire



Bi-wire
Remove jumpers



TROUBLESHOOTING GUIDE

No sound: Verify that your pre-amp and/or amplifier, and receiver are plugged into the AC PLUG and are turned on. Verify that the wall AC outlet is functional and that your system is not on mute.

Sound from one speaker only: Verify the balance control on your system. Swap speaker sides to verify if speaker is functional. Verify power cords on all sources. (Amplifier, preamp, receiver, CD, DVR)

Lack of bass or image: Verify the polarity of speaker connections.

AMPLIFIER DISTORTION

The most common source of speaker damage results from amplifier distortion. Your amplifier may run out of clean power upon listening at loud levels. A direct consequence of such an overuse is distorted power, producing a greater quantity of distortion than its rated output power. This provides a threat of damage to any loudspeaker.

The greater the amplifier power, the safer the loudness potential. A 50 watt/channel amplifier, if driven above this 50 watt/channel limit, will naturally produce multiplicatively more distortion than at 50 watts. A 120 watt/channel amplifier will have substantial distortion above 120 watts, but will not allow any significant distortion below 100 watts. To conclude, more amplifier power provides cleaner power and less possibility for damage.

VOLUME

Volume controls on the amplifier/ receiver/preamplifier are very misleading. Please note that the volume control does not address power-output, but simply adjusts the audible level of music. It is the type of music being played that has an incidence on the amount of power used at a given volume level. Less dynamic music utilizes lesser amplifier power than more dynamic music does. With most music, the amplifier reaches its maximum power between the 11 and 1 o'clock position on the volume dial.

Distortion is inevitable when the amplifier is pushed above its rated output level, which may result in speaker damage. This occurs with any type of speaker. This type of damage constitutes abuse and may not be covered by warranty. Be attentive to the instant distortion commences, turning the volume control down to prevent speaker and/or amplifier damage.

LIMITS

Be wary of providing more power than is appropriate for your speakers and damaging them. Although a more powerful amplifier may provide better sound, it is very important to utilize speakers within their power-range rating to prevent damage.